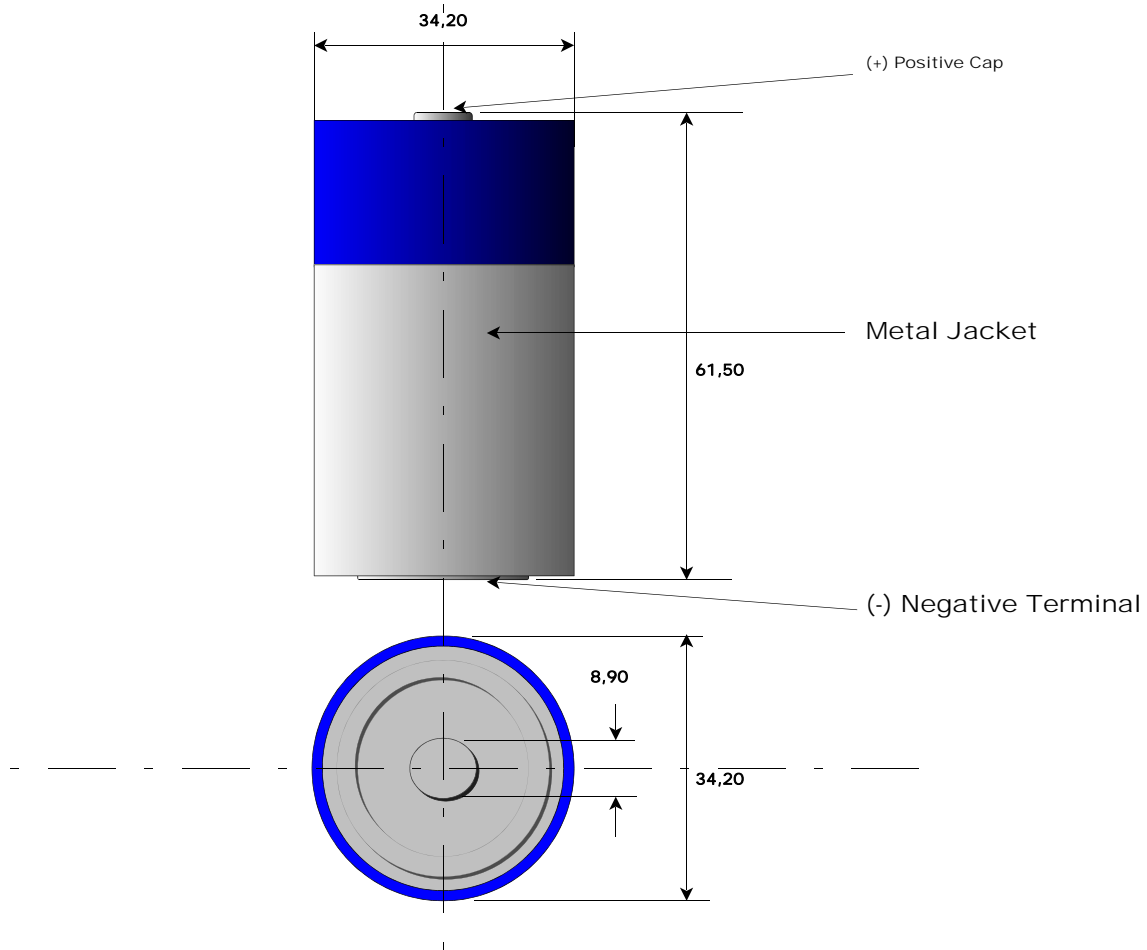


Datasheet



Do not scale

Size	LR20, D-Size, AM20, Mono
Type	Alkaline
Dimensions	Ø34.2 x 61.5 mm
Weight	150 Gramm
Voltage	1.5Volt
Capacity	Continuos discharge 2 Ohm to end voltage 0.9V service life min. 11.5 hours
Temperature	minus 20°C - + 60°C
Shelf-life	5 Years min.
Terminals	Flat contacts
Jacket	Leak-proof metal jacket, aluminum foil
Applications	Photo equipment, Music systems, Flashlights, Toys

Drawn	Charles Fung	Date	Oct. 02	Proof	Jason Ho	Checked	Judy Tam
-------	--------------	------	---------	-------	----------	---------	----------

LIFECCELL
ALKALINE BATTERIES

sales@lifecell.hk